

BIOEAZE® Standard Products For Diagnostics Manufacturers

Connecting Process to Progress



SAFC Supply Solutions™
| Inspiring Science

www.safcsupplysolutions.com

SIGMA-ALDRICH®

BIOEAZE® single-use disposables for diagnostics manufacturers



BIOEAZE disposables are designed to meet your specific process and manufacturing requirements for quality fluid transport, harvest and storage.

Single-Use Disposables

BIOEAZE provides fluid handling solutions in biologics both upstream and downstream.

BIOEAZE is more than a line of standard single-use bioprocessing items.

BIOEAZE is a service offering design consultation, validation and technical support.

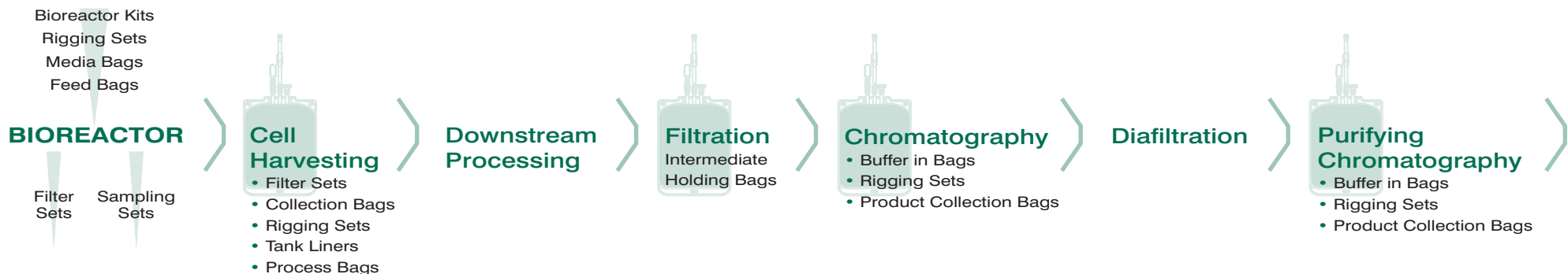
Systems You Can Trust

BIOEAZE, provided by SAFC Supply Solutions®, offers product expertise and experience addressing critical fluid transport challenges. Our team approach means you receive direct support and specific functional proficiency of the SAFC Supply Solutions:

- sales
- technical
- design
- manufacturing
- and supply chain management teams

BIOEAZE offers disposable fluid transport systems manufactured to your specifications.

BIOEAZE Biodisposable Applications for Monoclonal Antibody Production



Benefits of BIOEAZE®

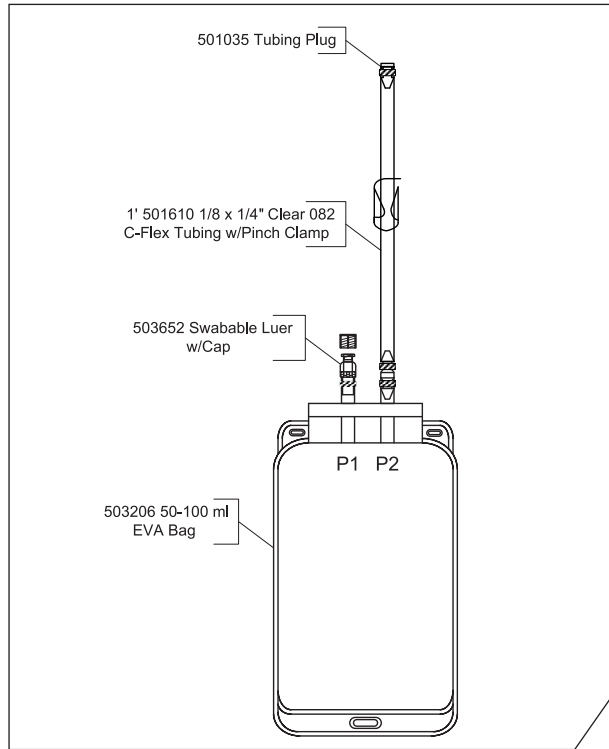
- Safety – management of contamination risk
- Speed – reduction and management of lead times
- Scalable – bags and films from 50 mL to 2,000 L
- Cost management – supports facilities' growth strategy, as disposables replace stainless steel and glass
- Time efficiency – systems are provided, assembled and sterile
- Versatility and innovation – BIOEAZE is designed to fit your process and enhance your operations
- Success – BIOEAZE is currently used in the manufacture of approved pharmaceutical products

BIOEAZE Product Overview

- cGMP manufactured, ISO Class 13485 in a Class 10,000 certified clean room
- Class VI bag films, components for incorporation into designs as selected
- Bags from 50 mL to 2,000 L, Polyethylene (PE) and Ethyl Vinyl Acetate (EVA) films
- Bag assemblies, rigging sets, filter sets, components, tank liners, tubing, storage and transport
- Technical knowledge, expertise and support when you need it

When you need consistent and scaleable disposables that are compatible with a variety of applications, depend on SAFC Supply Solutions®' breadth and depth of bioprocess experience to win the race to market.



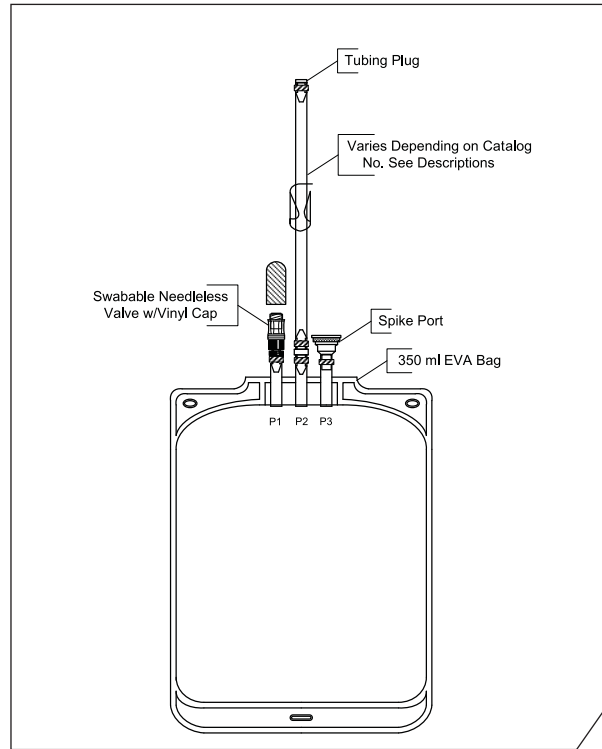


BIOEAZE 100 mL Ethyl Vinyl Acetate (EVA) Sterile Bag

3765B BIOEAZE 100 mL Ethyl Vinyl Acetate (EVA) Sterile Bag 5/pk

Configured with:

Port P1	Swabable Luer Lock
Port P2	1 x 1 ft. 1/8" x 1/4" Clear 082 C-Flex® Tubing with Pinch Clamp and Plug



BIOEAZE 350 mL Ethyl Vinyl Acetate (EVA) Sterile Bag

Designed for use with Terumo® Aseptic Connecting Device (ACD) Applications, Individually Polybagged

2338B BIOEAZE 350 mL Ethyl Vinyl Acetate (EVA) Sterile Bag 5/pk

1564B BIOEAZE 350 mL Ethyl Vinyl Acetate (EVA) Sterile Bag 10/pk

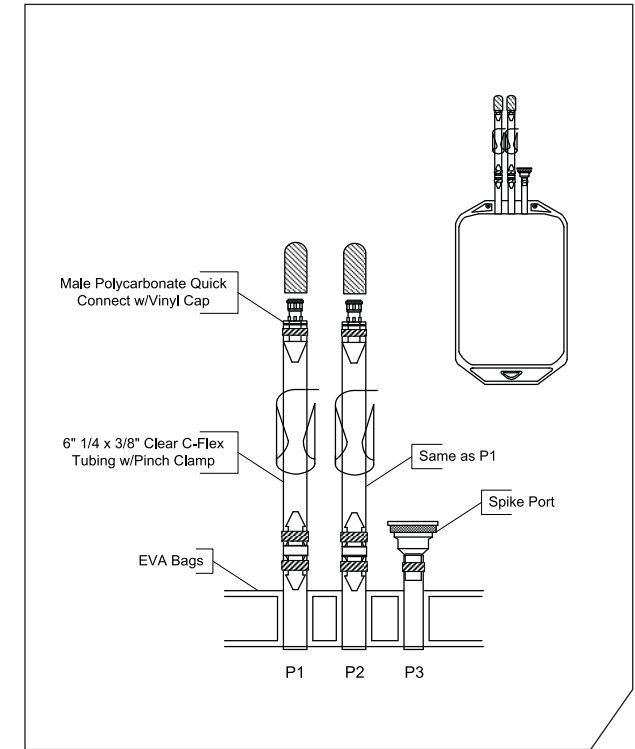
Configured with:

Port P1	Swabable Luer Lock
Port P2	1 x 1.5 ft. length of Size 16 Opaque 001 C-Flex Tubing with Pinch Clamp and Plug
Port P3	1 Spike Port

1446B BIOEAZE 350 mL Ethyl Vinyl Acetate (EVA) Sterile Bag 10/pk

Configured with:

Port P1	Swabable Luer Lock
Port P2	1 x 1.5 ft. length of 1/8" x 1/4" Clear 082 C-Flex Tubing with Pinch Clamp and Plug
Port P3	1 Spike Port



BIOEAZE 350 mL, 1 L, 2 L and 5 L Ethyl Vinyl Acetate (EVA) Sterile Bags

Designed for use with Quick Connect Applications, Double Polybagged

1935B BIOEAZE 350 mL Ethyl Vinyl Acetate (EVA) Sterile Bag 5/pk

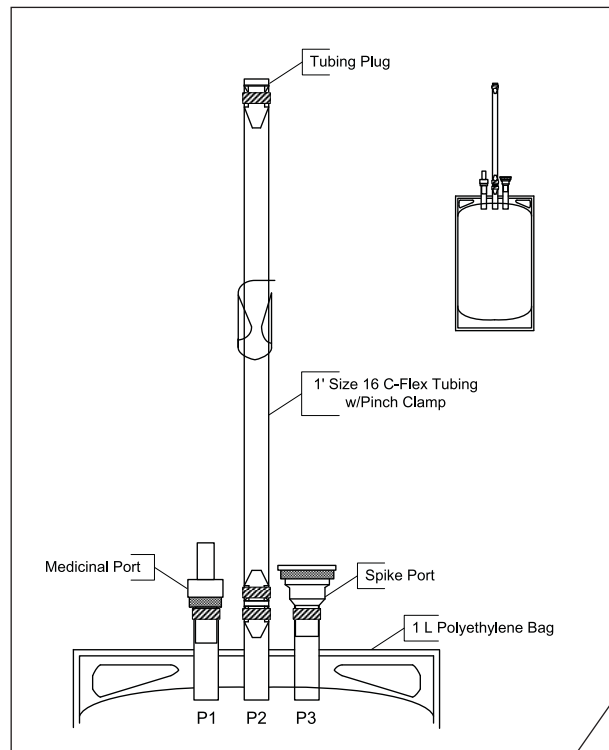
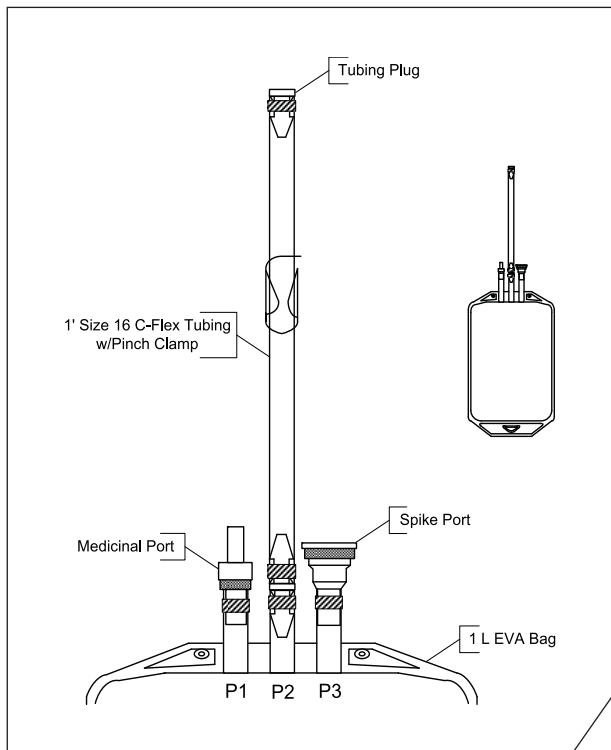
1936B BIOEAZE 1 L Ethyl Vinyl Acetate (EVA) Sterile Bag 5/pk

1937B BIOEAZE 2 L Ethyl Vinyl Acetate (EVA) Sterile Bag 5/pk

1938B BIOEAZE 5 L Ethyl Vinyl Acetate (EVA) Sterile Bag 5/pk

All configured with:

Port P1	1 x 6" length of 1/4" x 3/8" Clear 082 C-Flex Tubing with Pinch Clamp and 1/4" Male Quick Connect with Vinyl Cap
Port P2	1 x 6" length of 1/4" x 3/8" Clear 082 C-Flex Tubing with Pinch Clamp and 1/4" Male Quick Connect with Vinyl Cap
Port P3	1 Spike Port



BIOEAZE® 1 L Ethyl Vinyl Acetate (EVA) Sterile Bag

Designed for use with Terumo® Aseptic Connecting Device (ACD) Applications, Double Polybagged

1335B BIOEAZE 1 L Ethyl Vinyl Acetate (EVA) Sterile Bag

1521B BIOEAZE 1 L Ethyl Vinyl Acetate (EVA) Sterile Bag 5/pk

All configured with:

Port P1	1 Medicinal Port
Port P2	1 x 1 ft. length of Size 16 Opaque 001 C-Flex® Tubing with Pinch Clamp and Plug
Port P3	1 Spike Port

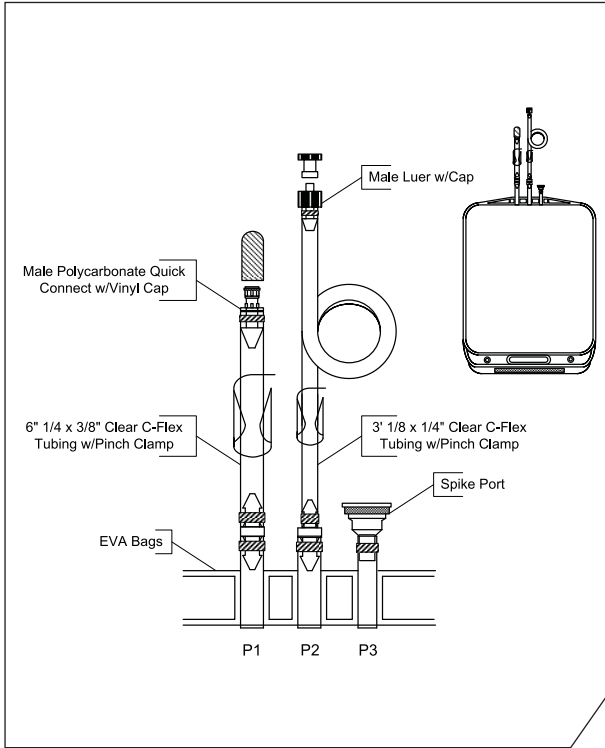
BIOEAZE 1 L Polyethylene (PE) Sterile Bag

Designed for use with Terumo Aseptic Connecting Device (ACD) Applications, Double Polybagged

1334B BIOEAZE 1 L Polyethylene (PE) Sterile Bag

All configured with:

Port P1	1 Medicinal Port
Port P2	1 x 1 ft. length of Size 16 Opaque 001 C-Flex Tubing with Pinch Clamp and Plug
Port P3	1 Spike Port



BIOEAZE 2 L and 5 L Ethyl Vinyl Acetate (EVA) Sterile Bags

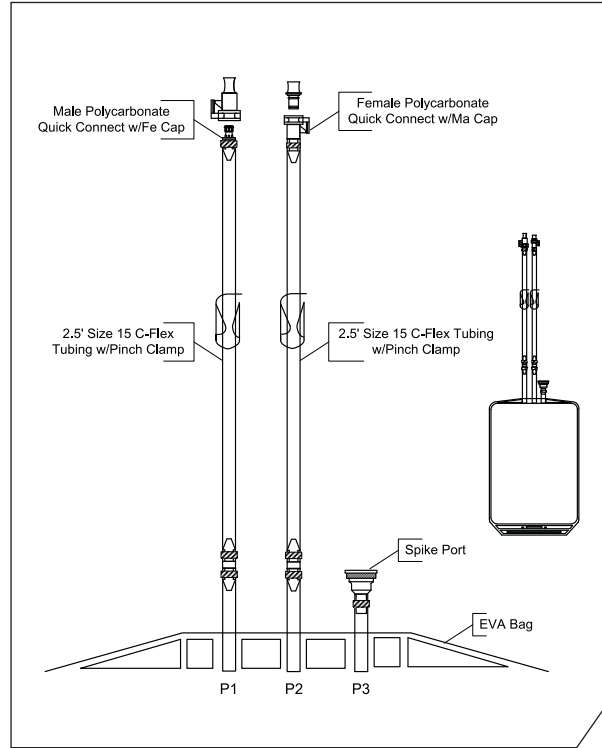
Designed for use with Terumo® Aseptic Connecting Device (ACD) and Quick Connect or Luer Lock Applications, Double Polybagged

1933B BIOEAZE 2 L Ethyl Vinyl Acetate (EVA) Sterile Bag 5/pk

1934B BIOEAZE 5 L Ethyl Vinyl Acetate (EVA) Sterile Bag 5/pk

All configured with:

Port P1	1 x 6" length of 1/4" x 3/8" Clear 082 C-Flex® Tubing with Pinch Clamp and 1/4" Male Polycarbonate Quick Connect with Vinyl Cap
Port P2	1 x 3 ft. length of 1/8" x 1/4" Clear 082 C-Flex Tubing with Pinch Clamp and Male Polycarbonate Luer Lock with Cap
Port P3	1 Spike Port



BIOEAZE 10 L and 20 L Ethyl Vinyl Acetate (EVA) Sterile Bags

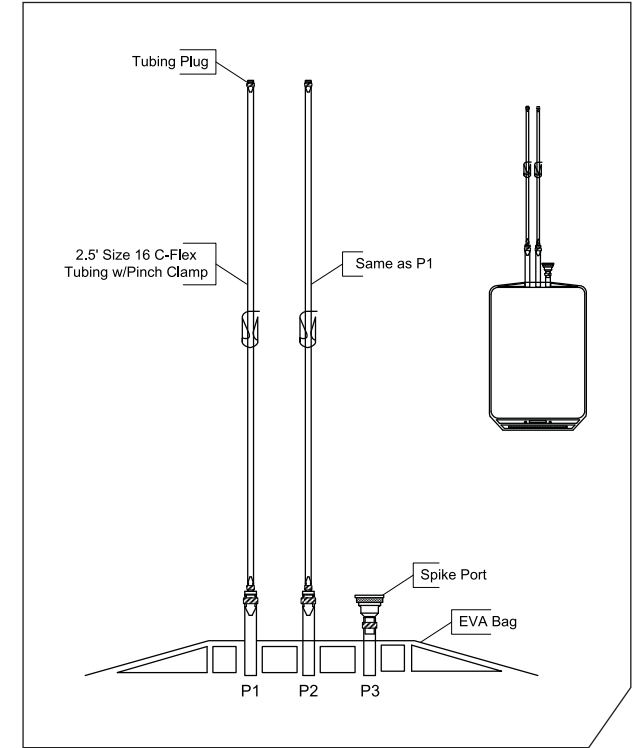
Designed for use with Quick Connect Applications, Double Polybagged

1523B BIOEAZE 5 – 10 L Ethyl Vinyl Acetate (EVA) Sterile Bag

1330B BIOEAZE 10 – 20 L Ethyl Vinyl Acetate (EVA) Sterile Bag

All configured with:

Port P1	1 x 2.5 ft. length of Size 15 Opaque 001 C-Flex Tubing with 1/4" Male Quick Connect with Cap
Port P2	1 x 2.5 ft. length of Size 15 Opaque 001 C-Flex Tubing with 1/4" Female Quick Connect with Cap
Port P3	1 Spike Port (1330B has short tubing extension)



BIOEAZE 10 L and 20 L Ethyl Vinyl Acetate (EVA) Sterile Bags

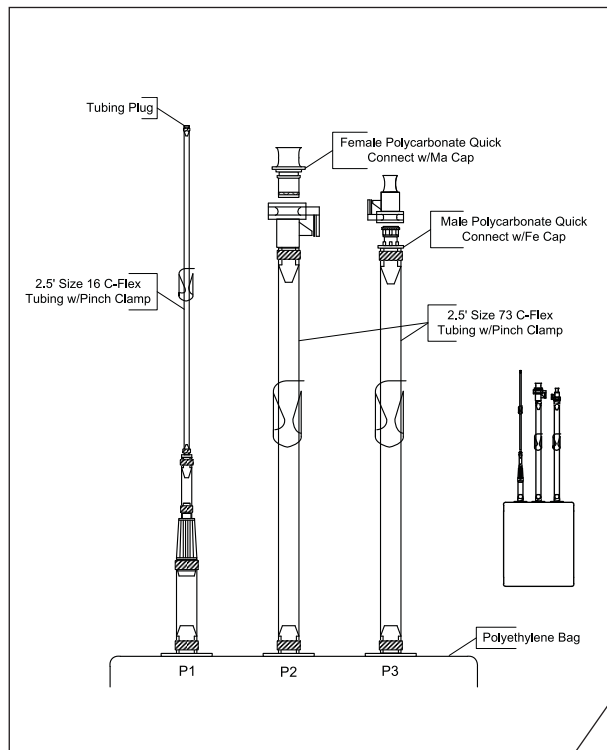
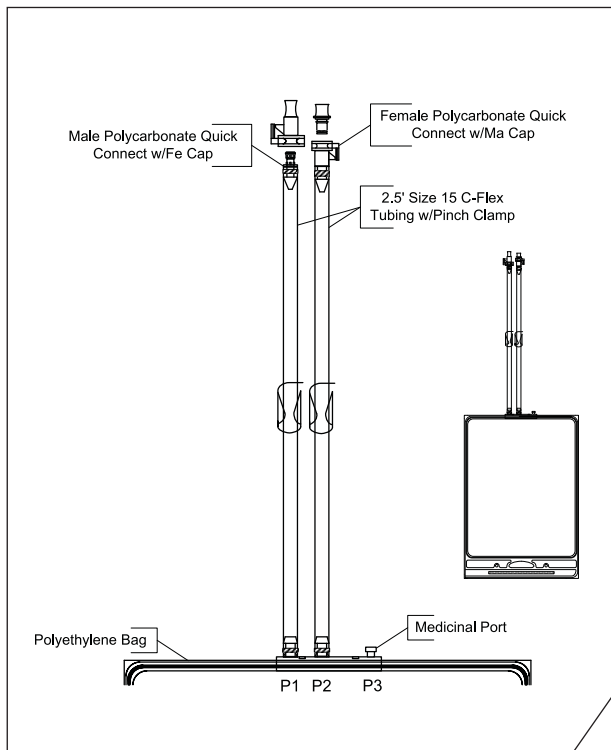
Designed for use with Terumo Aseptic Connecting Device (ACD) Applications, Double Polybagged

1524B BIOEAZE 5 – 10 L Ethyl Vinyl Acetate (EVA) Sterile Bag

1329B BIOEAZE 10 – 20 L Ethyl Vinyl Acetate (EVA) Sterile Bag

All configured with:

Port P1	1 x 2.5 ft. length of Size 16 Opaque 001 C-Flex Tubing with Pinch Clamp and Plug
Port P2	1 x 2.5 ft. length of Size 16 Opaque 001 C-Flex Tubing with Pinch Clamp and Plug
Port P3	1 Spike Port (1329B has short tubing extension)



BIOEAZE® 5, 10 and 20 L Polyethylene (PE) Sterile Bags

Designed for use with Quick Connect Applications, Double Polybagged

3398B	BIOEAZE 5 L Polyethylene (PE) Sterile Bag
3399B	BIOEAZE 10 L Polyethylene (PE) Sterile Bag
3676B	BIOEAZE 20 L Polyethylene (PE) Sterile Bag

All configured with:

Port P1	1 x 2.5 ft. length of Size 15 Opaque 001 C-Flex® Tubing with Pinch Clamp and 1/4" Male Quick Connect with Cap
Port P2	1 x 2.5 ft. length of Size 15 Opaque 001 C-Flex Tubing with Pinch Clamp and 1/4" Female Quick Connect with Cap
Port P3	1 Medicinal Port

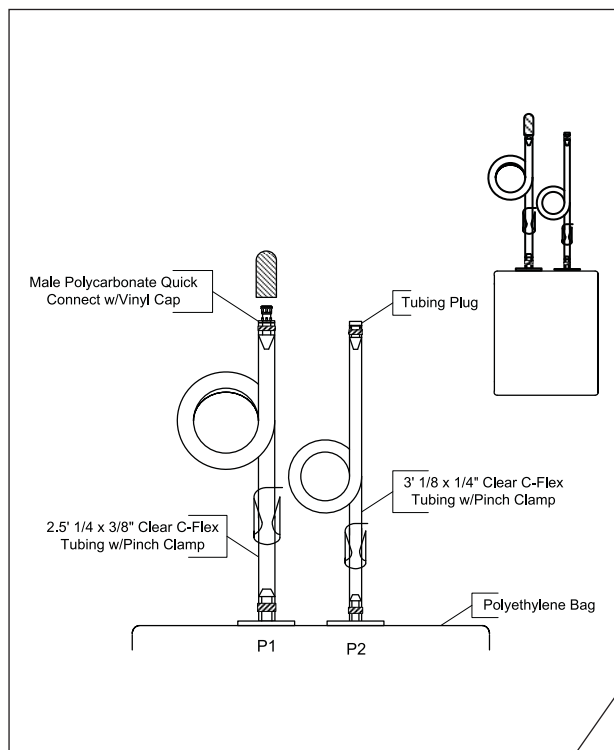
BIOEAZE 50 L, 100 L and 200 L "Pillow" Style Polyethylene (PE) Sterile Bags

Designed for use with Terumo® Aseptic Connecting Device (ACD) and Quick Connect Applications, Double Polybagged

1331B	BIOEAZE 50 L Polyethylene (PE) Sterile Bag
1332B	BIOEAZE 100 L Polyethylene (PE) Sterile Bag
1333B	BIOEAZE 200 L Polyethylene (PE) Sterile Bag

All configured with:

Port P1	1 x 2.5 ft. length of Size 16 Opaque 001 C-Flex Tubing with Pinch Clamp and Plug
Port P2	1 x 2.5 ft. length of Size 73 Opaque 001 C-Flex Tubing with Pinch Clamp and 3/8" Female Quick Connect with Cap
Port P3	1 x 2.5 ft. length of Size 73 Opaque 001 C-Flex Tubing with Pinch Clamp and 3/8" Male Quick Connect with Cap



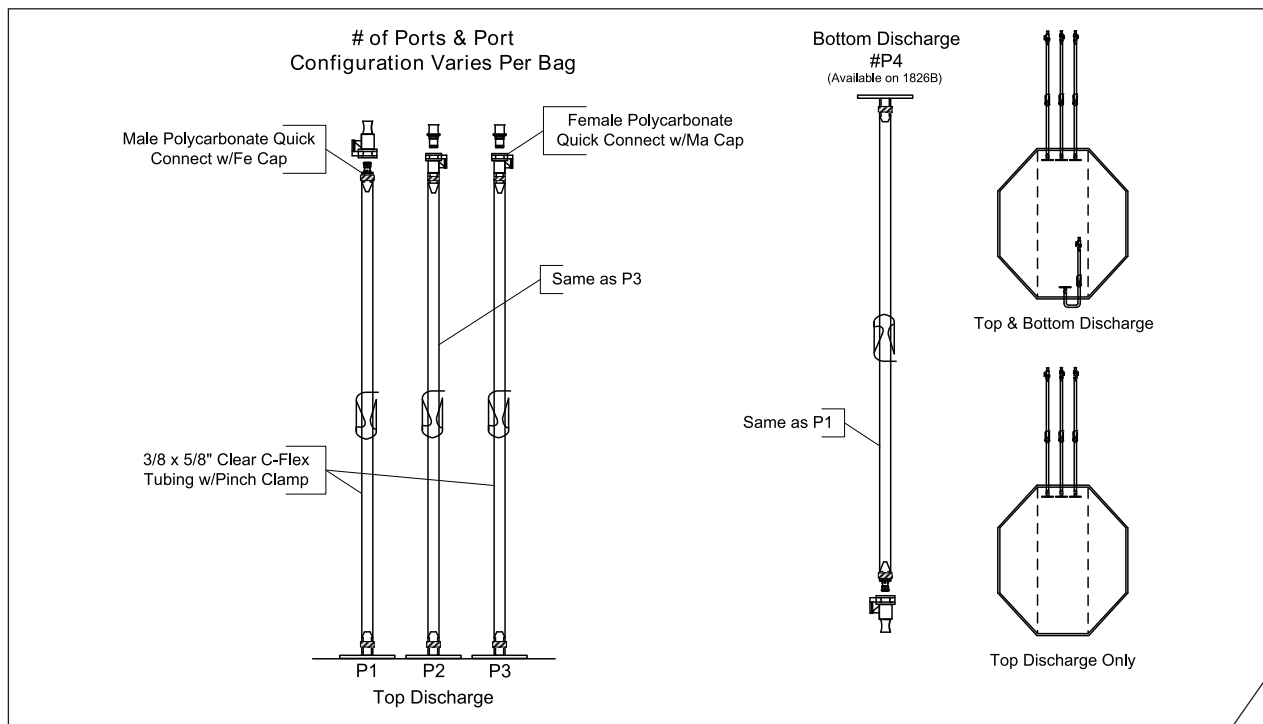
BIOEAZE 50 L, 100 L and 200 L “Pillow” Style Polyethylene (PE) Sterile Bags

Designed for use with Terumo® Aseptic Connecting Device (ACD) and Quick Connect Applications, Double Polybagged

1946B	BIOEAZE 50 L Polyethylene (PE) Sterile Bag
1947B	BIOEAZE 100 L Polyethylene (PE) Sterile Bag
1988B	BIOEAZE 200 L Polyethylene (PE) Sterile Bag

All configured with:

Port P1	1 x 2.5 ft. length of 1/4 x 3/8" Clear 082 C-Flex Tubing with Pinch Clamp and 1/4" Male Quick Connect with Vinyl Cap (1988B has short extension pieces)
Port P2	1 x 3 ft. length of 1/8 x 1/4" Clear 082 C-Flex Tubing with Pinch Clamp and Plug (1988B has short extension pieces)
Port P3	1 Spike Port



BIOEAZE 500 L or 1000 L “3D” Style Polyethylene (PE) Bags

Designed for use with Quick Connect Applications, Double Polybagged

1826B BIOEAZE 500 L Polyethylene (PE) Sterile Bag with 3 Top and 1 Bottom Discharge Ports

Configured with:

Port P1	1 x 10 ft. length of 3/8" x 5/8" Clear 082 C-Flex Tubing with Pinch Clamp and 3/8" Male Quick Connect with Cap
Port P2	1 x 10 ft. length of 3/8" x 5/8" Clear 082 C-Flex Tubing with Pinch Clamp and 3/8" Female Quick Connect with Cap
Port P3	1 x 10 ft. length of 3/8" x 5/8" Clear 082 C-Flex Tubing with Pinch Clamp and 3/8" Female Quick Connect with Cap
Port P4	Bottom Port 1 x 10 ft. length of 3/8" x 5/8" Clear 082 C-Flex Tubing with Pinch Clamp and 3/8" Male Quick Connect with Cap

2339B BIOEAZE 500 L Polyethylene (PE) Sterile Bag with 2 Top Discharge Ports

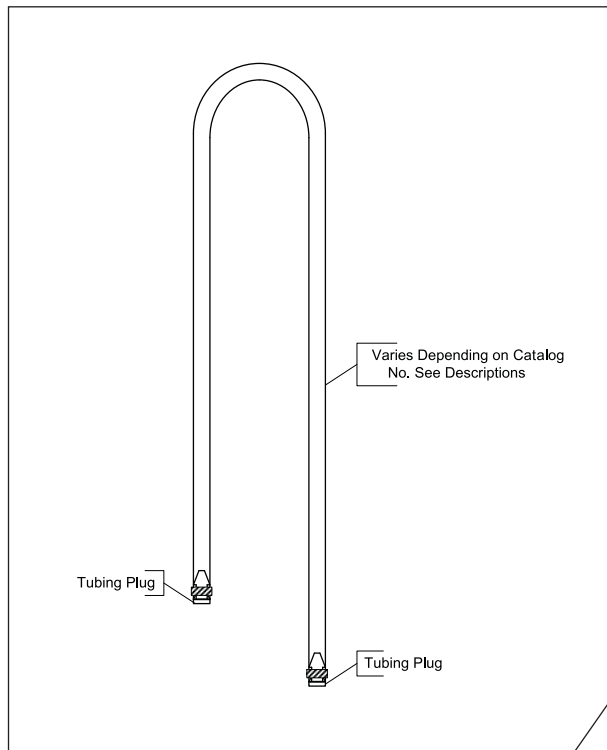
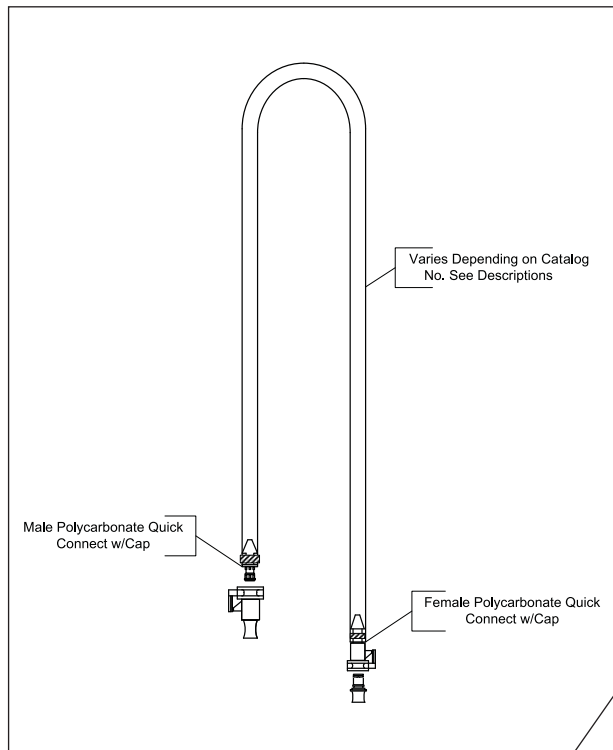
Configured with:

Port P1	1 x 3 ft. length of 3/8" x 5/8" Clear 082 C-Flex Tubing with Pinch Clamp and 3/8" Male Quick Connect with Cap
Port P2	1 x 3 ft. length of 3/8" x 5/8" Clear 082 C-Flex Tubing with Pinch Clamp and 3/8" Female Quick Connect with Cap

1824B BIOEAZE 1000 L Polyethylene (PE) Sterile Bag with 3 Top Discharge Ports (designed to fit 45" x 45" x 43.7" tote – Catalog No. 89310)

Configured with:

Port P1	1 x 10 ft. length of 3/8" x 5/8" Clear 082 C-Flex Tubing with Pinch Clamp and 3/8" Male Quick Connect with Cap
Port P2	1 x 10 ft. length of 3/8" x 5/8" Clear 082 C-Flex Tubing with Pinch Clamp and 3/8" Female Quick Connect with Cap
Port P3	1 x 10 ft. length of 3/8" x 5/8" Clear 082 C-Flex Tubing with Pinch Clamp and 3/8" Female Quick Connect with Cap



BIOEAZE Rigging Set Sterile

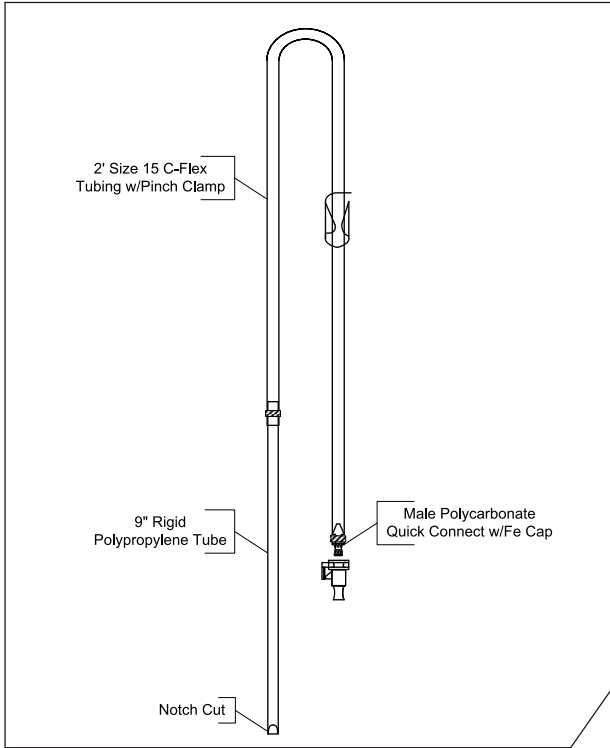
Designed for use with Quick Connect Applications with Male and Female Quick Connects with Caps, Double Polybagged

1336R	1 x 10 ft. length of Size 15 Opaque 001 C-Flex® Tubing and 1/4" Quick Connects with Caps
1337R	1 x 10 ft. length of Size 73 Opaque 001 C-Flex Tubing and 3/8" Quick Connects with Caps
1520R	1 x 25 ft. length of Size 73 Opaque 001 C-Flex Tubing and 3/8" Quick Connects with Caps

BIOEAZE Rigging Set Sterile

Designed for use with Terumo® Aseptic Connecting Device (ACD) Applications, Double Polybagged

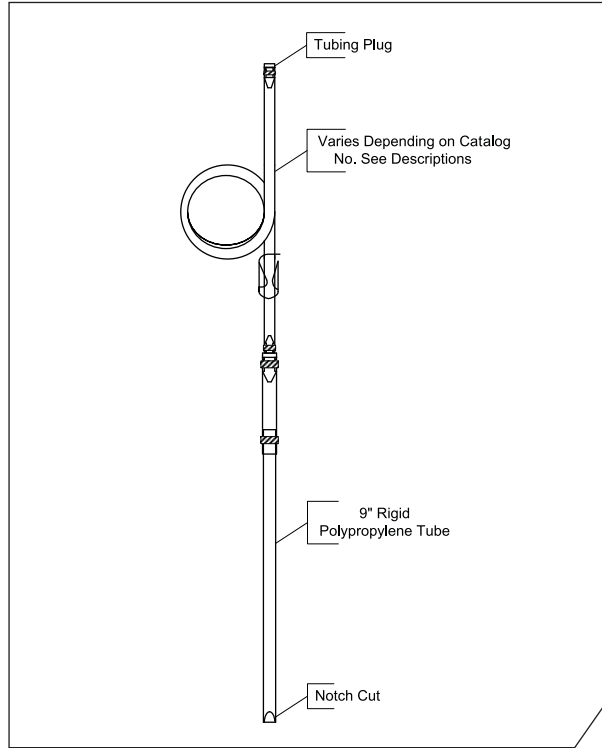
1338R	1 x 10 ft. length of Size 16 Opaque 001 C-Flex Tubing with Plugged End
1339R	1 x 10 ft. length of 1/8" x 1/4" Clear 082 C-Flex Tubing with Plugged Ends
3677R	5 x 1 ft. lengths of 1/8" x 1/4" Clear 082 C-Flex Tubing with Plugged Ends 5/pk
3678R	5 x 1 ft. lengths of Size 16 Opaque 001 C-Flex Tubing with Plugged Ends 5/pk



BIOEAZE Dispensing Tube Set Sterile

Designed for the Aseptic Transfer of Liquids into or out of Bottles or Bags, Double Polybagged

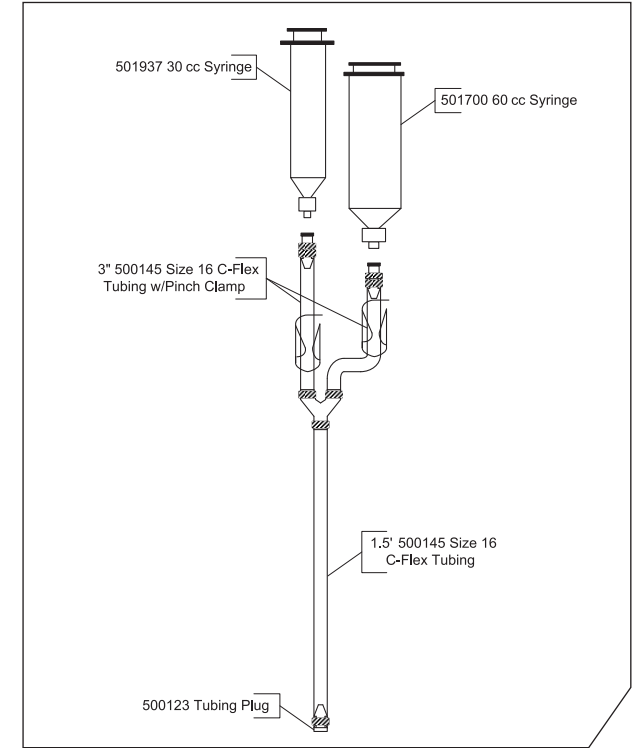
1654R	9" Rigid Polypropylene Tube with 1 x 2 ft. length of Size 15 Opaque 001 C-Flex™ Tubing and 1/4" Male Quick Connect with Cap
-------	---



BIOEAZE Dispensing Tube Set Sterile

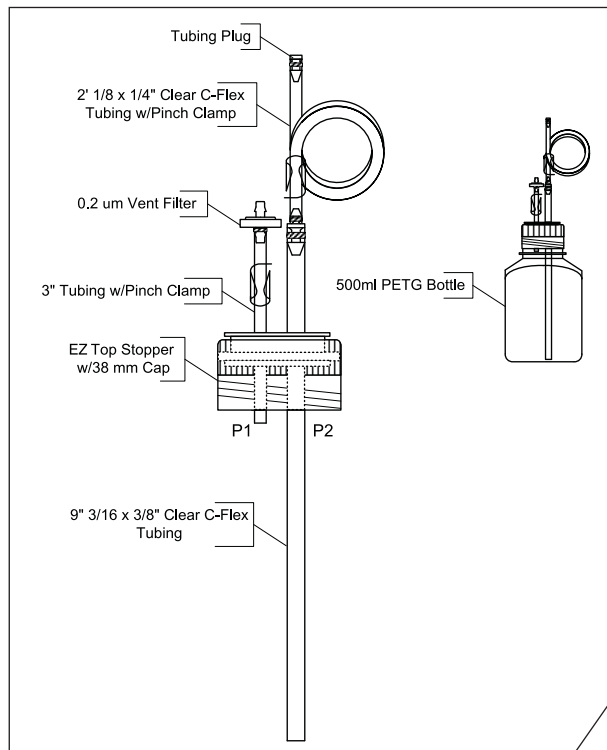
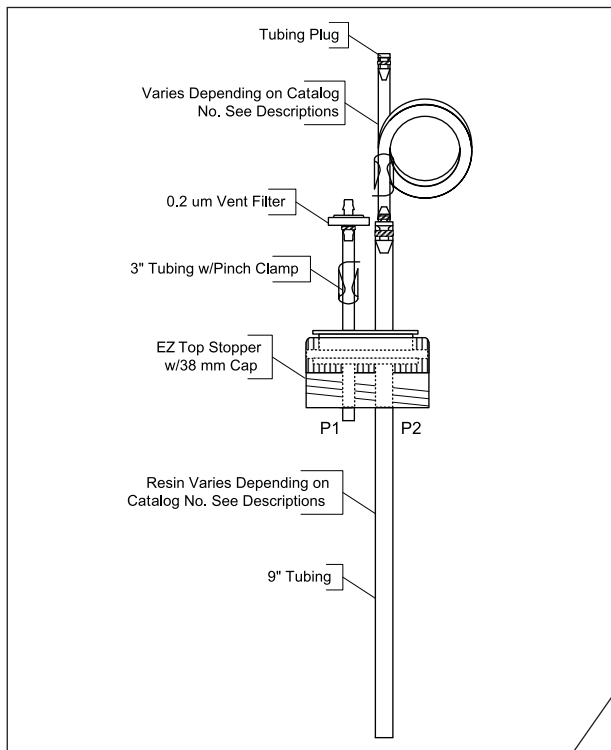
Designed for the Aseptic Transfer of Liquids into or out of Bottles or Bags, Double Polybagged

1655R	9" Rigid Polypropylene Tube with 1 x 5 ft. length of Size 16 Opaque 001 C-Flex Tubing with Pinch Clamp and Plug
1656R	9" Rigid Polypropylene Tube with 1 x 5 ft. length of 1/8" x 1/4" Clear 082 C-Flex Tubing with Pinch Clamp and Plug



BIOEAZE Syringe Sampling Set Sterile

1814R	BIOEAZE 10 Syringe Sampling Set Sterile 5/pk, 1.5 ft. length of Size 16 C-Flex Tubing with 30 CC and 60 CC syringes
-------	---



BIOEAZE EZ Top Container Closure Sterile

Designed to Aseptically Transfer Liquids into or from 500 mL or 1000 mL Bottles (with 38 mm caps) via Terumo® Aseptic Connecting Device (ACD), Double Polybagged

Terumo® Applications

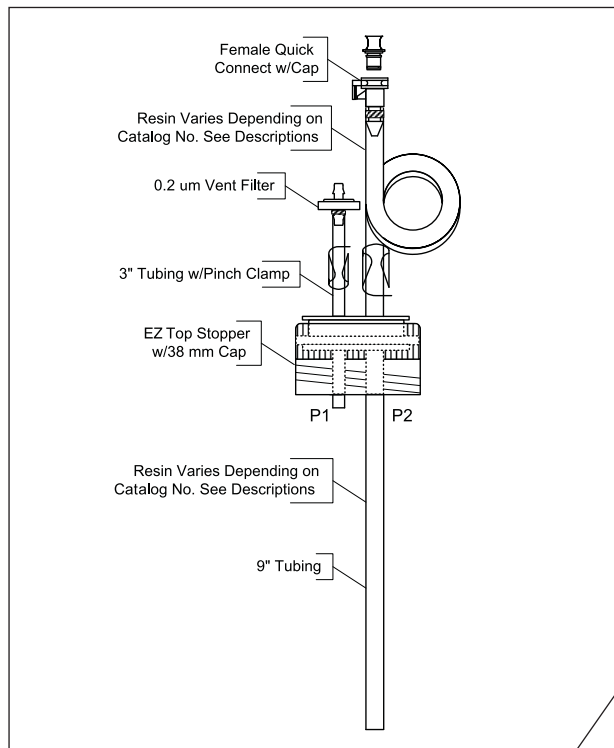
2503S	Fits 500 mL or 1 L Bottle with 082 C-Flex Stopper and 38 mm Cap with 1 x 2 ft. length of 1/8" x 1/4" 082 Clear C-Flex® Tubing with Pinch Clamp and Plug
2504S	Fits 500 mL or 1 L Bottle with 374 (Animal-Free) C-Flex Stopper and 38 mm Cap with 1 x 2 ft. length of 1/8" x 1/4" 374 Clear C-Flex Tubing with Pinch Clamp and Plug

BIOEAZE EZ Top Container Closure Sterile

Designed to Aseptically Transfer Liquids from Attached 500 mL Bottles (with 38 mm caps) via Terumo Aseptic Connecting Device (ACD), Double Polybagged

Terumo Applications with 500 mL Bottle

2505S	BIOEAZE 500 mL Bottle with 082 C-Flex Stopper and 38 mm Cap with 1 x 2 ft. length of 1/8" x 1/4" 082 Clear C-Flex Tubing with Pinch Clamp and Plug
-------	--

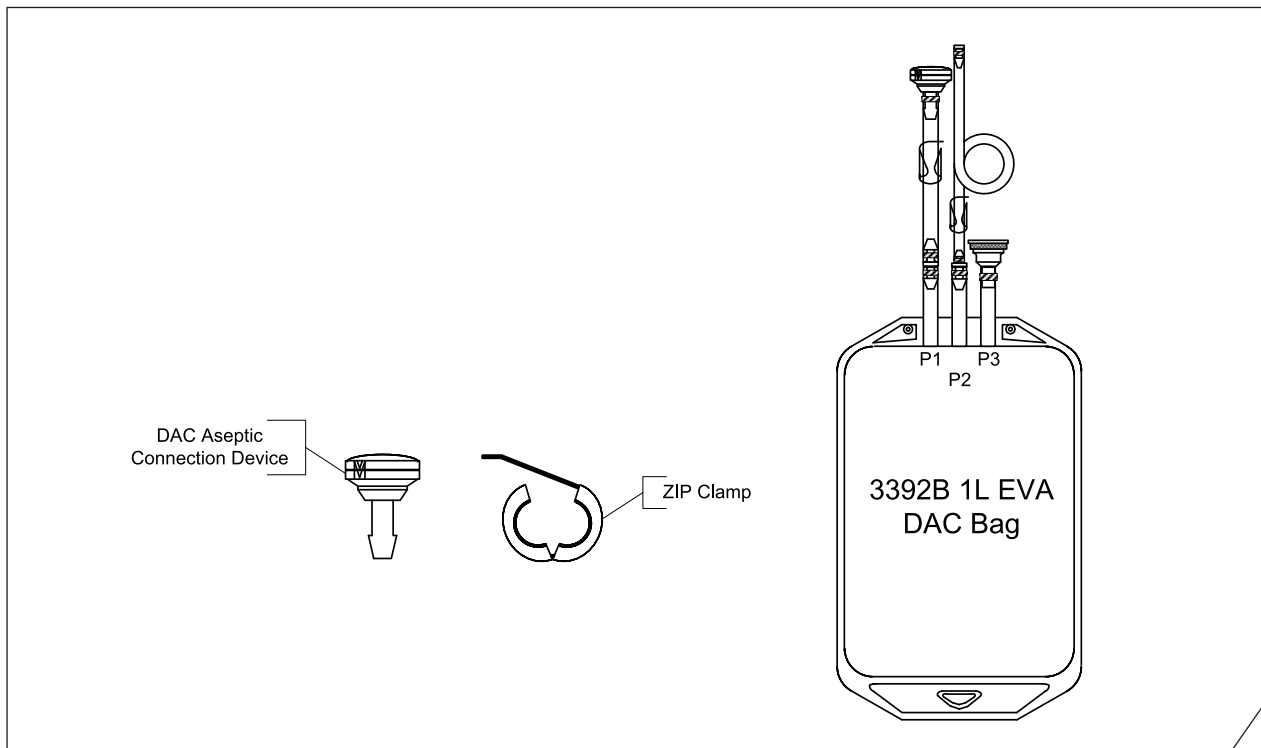


BIOEAZE EZ Top Container Closure Sterile

Designed to Aseptically Transfer Liquids into or from 500 mL or 1000 mL Bottles (with 38 mm caps) via Quick Connects, Double Polybagged

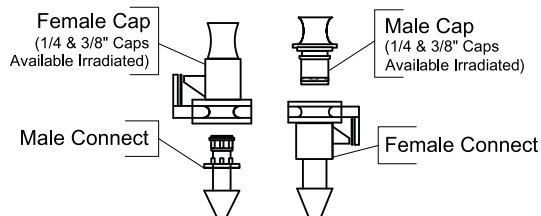
Quick Connect Applications

2502S	Fits 500 mL or 1 L Bottle with 374 (Animal-Free) C-Flex® Stopper with 38 mm Cap with 1 x 2 ft. length of 3/16" x 3/8" 374 Clear C-Flex Tubing with Pinch Clamp and 1/4" Female Polysulfone Quick Connect with Cap
2501S	Fits 500 mL or 1 L Bottle with 082 C-Flex Stopper with 38 mm Cap with 1 x 2 ft. length of 3/16" x 3/8" 082 Clear C-Flex Tubing with Pinch Clamp and 1/4" Female Polycarbonate Quick Connect with Cap



BioQuate Disposable Aseptic Connector (DAC) / Components and Bag with DAC / Genderless Aseptic Connecting Device

3392B	BIOEAZE .5 – 1 L Ethyl Vinyl Acetate (EVA) Sterile Bag with BioQuate Disposable Aseptic Connector (DAC) Double Polybagged
Port P1	1 x 6" length of 1/4" x 7/16" Clear 082 C-Flex Tubing with Pinch Clamp and Disposable Aseptic Connector (DAC)
Port P2	1 x 1 ft. length of Opaque 001 Size 16 C-Flex Tubing with Pinch Clamp and Plug
Port P3	1 Spike Port
3388P	BIOEAZE 1/4" Barbed Disposable Aseptic Connector (DAC) 2/pk (Autoclavable)
3393P	BIOEAZE 1/4" Barbed Disposable Aseptic Connector (DAC) 10/pk (Autoclavable)
3389P	BIOEAZE 3/8" Barbed Disposable Aseptic Connector (DAC) 2/pk (Autoclavable)
3394P	BIOEAZE 3/8" Barbed Disposable Aseptic Connector (DAC) 10/pk (Autoclavable)
3390P	BIOEAZE 1/2" Barbed Disposable Aseptic Connector (DAC) 2/pk (Autoclavable)
3395P	BIOEAZE 1/2" Barbed Disposable Aseptic Connector (DAC) 10/pk (Autoclavable)
3391P	BIOEAZE 3/4" Barbed Disposable Aseptic Connector (DAC) 2/pk (Autoclavable)
3396P	BIOEAZE 3/4" Barbed Disposable Aseptic Connector (DAC) 10/pk (Autoclavable)
2508P	BIOEAZE BioQuate Tamper Evident Zip Clamp Double Polybagged 1/pk
2509P	BIOEAZE BioQuate Tamper Evident Zip Clamp Double Polybagged 5/pk

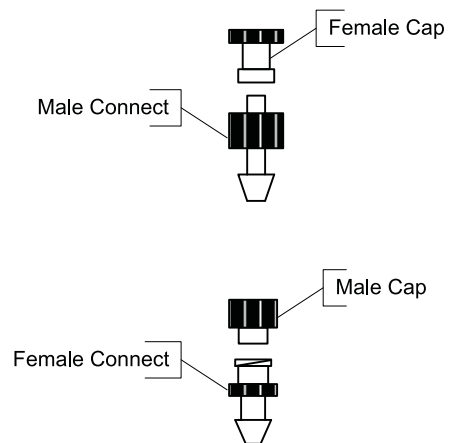


Available for 1/4 , 3/8 & 1/2" I.D. Tubing

Colder Products Quick Connects

Note - Male and Female 1/4" and 3/8" QuickConnects are interchangeable

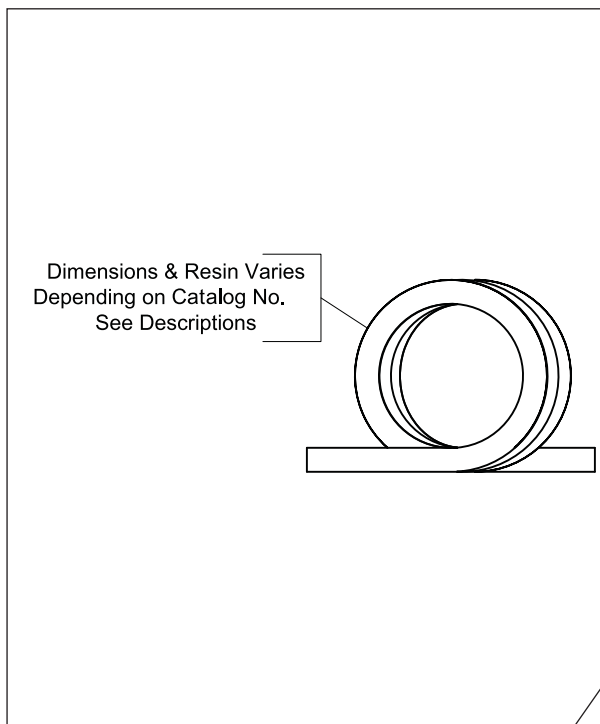
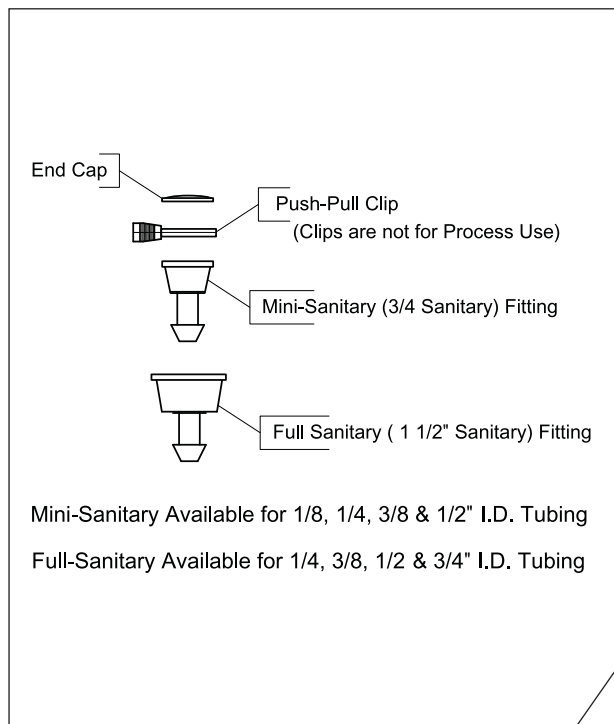
1507P	BIOEAZE Male Quick Connect Polycarbonate 1/4" 25/pk (Autoclavable)
1514P	BIOEAZE Female Quick Connect Polycarbonate 1/4" 25/pk (Autoclavable)
1508P	BIOEAZE Male Quick Connect Polycarbonate 3/8" 25/pk (Autoclavable)
1515P	BIOEAZE Female Quick Connect Polycarbonate 3/8" 25/pk (Autoclavable)
1516P	BIOEAZE Male Quick Cap Polycarbonate for 1/4" and 3/8" Female Quick Connect 25/pk (Autoclavable)
1509P	BIOEAZE Female Quick Cap Polycarbonate for 1/4" and 3/8" Male Quick Connect 25/pk (Autoclavable)
2615P	BIOEAZE Male Quick Connect Polycarbonate 1/2" 25/pk (Autoclavable)
3204P	BIOEAZE Female Quick Connect Polycarbonate 1/2" 25/pk (Autoclavable)
2617P	BIOEAZE Male Quick Cap Polycarbonate for 1/2" Female Quick Connect 25/pk (Autoclavable)
2616P	BIOEAZE Female Quick Cap Polycarbonate for 1/2" Male Quick Connect 25/pk (Autoclavable)
2185P	BIOEAZE Male Quick Cap Polycarbonate for 1/4" and 3/8" Female Quick Connect 10/pk (Individually Bagged) Sterile
3654P	BIOEAZE Female Quick Cap Polycarbonate for 1/4" and 3/8" Male Quick Connect 10/pk (Individually Bagged) Sterile



Available for 3/16 & 1/4" I.D. Tubing

Value Plastics Polycarbonate Luer Lock Fittings Non-Sterile and Autoclavable

1511P	BIOEAZE Male Luer Lock 3/16" 50/pk
1506P	BIOEAZE Female Luer Lock 3/16" 50/pk
1512P	BIOEAZE Male Luer Lock 1/4" 50/pk
1504P	BIOEAZE Female Luer Lock 1/4" 50/pk
1505P	BIOEAZE Male Luer Cap 50/pk
1513P	BIOEAZE Female Luer Cap 50/pk



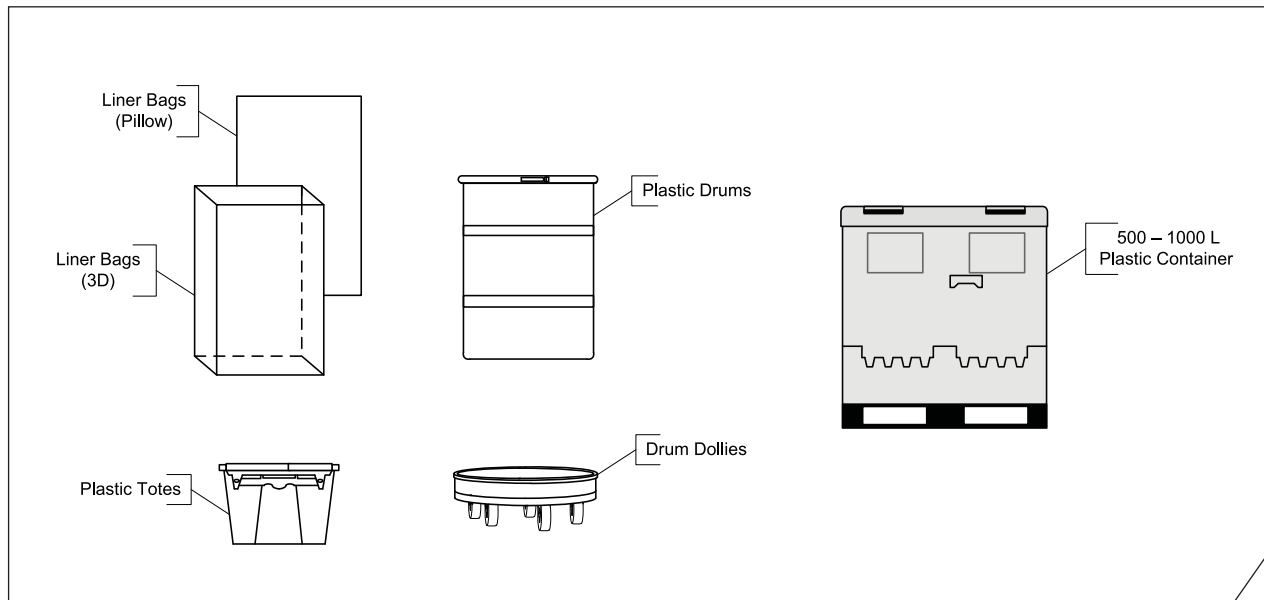
Full Sanitary (1 1/2 Sanitary) and Mini-Sanitary (3/4 Sanitary) Polypropylene Fittings Autoclavable

1801P	BIOEAZE Mini-Sanitary Fitting, Tri-Clamp Connector with 1/8" Barb 25/pk
1802P	BIOEAZE Mini-Sanitary Fitting, Tri-Clamp Connector with 1/4" Barb 25/pk
1510P	BIOEAZE Mini-Sanitary Fitting, Tri-Clamp Connector with 3/8" Barb 25/pk
1803P	BIOEAZE Mini-Sanitary Fitting, Tri-Clamp Connector with 1/2" Barb 25/pk
1804P	BIOEAZE Mini-Sanitary End Cap 25/pk
1805P	BIOEAZE Mini-Sanitary Push/Pull Clip 25/pk (Clips are not intended for in-process use)
1806P	BIOEAZE Full Sanitary Tri-Clamp Connector with 1/4" Barb 25/pk
1807P	BIOEAZE Full Sanitary Tri-Clamp Connector with 3/8" Barb 25/pk
1808P	BIOEAZE Full Sanitary Tri-Clamp Connector with 1/2" Barb 25/pk
1809P	BIOEAZE Full Sanitary Tri-Clamp Connector with 3/4" Barb 25/pk

BIOEAZE Tubing

Single Polybagged

1581T	BIOEAZE Tubing C-Flex®, Opaque Size 16 50 ft. coil (1/8" inner diameter)
1582T	BIOEAZE Tubing C-Flex, Opaque Size 15 50 ft. coil (3/16" inner diameter)
1583T	BIOEAZE Tubing C-Flex, Opaque Size 73 50 ft. coil (3/8" inner diameter)
1584T	BIOEAZE Tubing C-Flex, Opaque Size 82 50 ft. coil (1/2" inner diameter)
1585T	BIOEAZE Tubing Platinum Cured Silicone 1/4" x 3/8" 50 ft. coil
1586T	BIOEAZE Tubing Platinum Cured Silicone 3/8" x 5/8" 50 ft. coil
1587T	BIOEAZE Tubing Platinum Cured Silicone 1/2" x 3/4" 50 ft. coil



Drums (Plastic) Open-Top with Lid and Locking Ring

89303	BIOEAZE Drum 20 Gallon/50 L Straight Side, 16" diameter x 27" height, with lid
89304	BIOEAZE Drum 35 Gallon/100 L Straight Side, 20" diameter x 31" height, with lid
89305	BIOEAZE Drum 55 Gallon/200 L Straight Side, 22" diameter x 36" height, with lid

Drum Dollies (Plastic) for 89303, 89304 or 89305

89301	BIOEAZE Standard Drum Dolly
-------	-----------------------------

Plastic Totes

89306	<p>BIOEAZE Plastic Tote</p> <p>Inside dimension bottom: 18.5" length x 12.9" width</p> <p>Inside dimension top: 19.9" length x 14.2" width</p> <p>Outside dimension bottom: 19.1" length x 13.5" width</p> <p>Outside dimension top: 21.8" length x 15.8" width</p>
89310	<p>BIOEAZE Arca ComboLife 285 Bulk Container (for 1824B 1000 L bag)</p> <p>Inside dimensions without lid: 41.93" length x 41.14" width x 37.01" height</p> <p>Outside dimensions with lid: 45.47" length x 45.47" width x 44.57" height</p> <p>Outside dimensions collapsed with lid: 45.47" length x 45.47" width x 18.39"</p>

Tank Liners, "3D" Style

2220L	BIOEAZE Tank Liner 50 L, 13.5" diameter x 29" height 20/pk
2221L	BIOEAZE Tank Liner 100 L, 18.5" diameter x 33" height 20/pk
2222L	BIOEAZE Tank Liner 200 L, 22.5" diameter x 38" height 20/pk

Tank Liners, "Pillow" Style

1569L	BIOEAZE Tank Liner 50 L, 13.35" diameter x 39" height 20/pk
1570L	BIOEAZE Tank Liner 130 L, 18" diameter x 48" height 20/pk
1571L	BIOEAZE Tank Liner 200 L, 22.5" diameter x 51" height 20/pk

SAFC international sites

Global E-mail: safcglob@al@al.com

Argentina

Tel: +54 11 4556 1472
Fax: +54 11 4552 1698
E-Mail: info-argentina@sial.com

Australia

Free Tel: 1800 800 097
Free Fax: 1800 800 096
Tel: +61 (0)2 9841 0555
Fax: +61 (0)2 9841 0500
E-Mail: auscustserv@sial.com

Austria

Tel: +43 (0)1 605 81 91
Fax: +43 (0)1 605 81 20
E-Mail: sigma@sigma.co.at

Belgium

Free Tel: 0800 99560
Free Fax: 0800 99561
Tel: +31 78 6205414
Fax: +31 78 6205424
E-Mail: nldsaf@sial.com

Brazil

Tel: +55 11 3732 3100
Fax: +55 11 3733 5151
E-Mail: brasaf@sial.com

Canada

Free Tel: 1800 565 1400
Free Fax: 1800 265 3858
Tel: +1 905 829 9500
Fax: +1 905 829 9292
E-Mail: canada@sial.com

China

Tel: +86 21 6386 2766
Fax: +86 21 6386 3966
E-Mail: china@sial.com

Czech Republic

Tel: +420 246 003 200
Fax: +420 246 003 291
E-Mail: czeorders@sial.com

Denmark

Tel: +45 43 565 900
Fax: +45 43 565 905
E-Mail: nordicsaf@sial.com

Finland

Tel: +358 9 350 9250
Fax: +358 9 350 92555
E-Mail: finorder@sial.com

France

Tel: +33 (0)4 74 82 2882
Fax: +33 (0)4 74 82 2890
E-Mail: fraadvsaf@sial.com

Germany

Tel: +49 (0)89 6513 1920
Fax: +49 (0)89 6513 1919
E-Mail: deusaf@sial.com

Greece

Tel: +30 2 10 994 8010
Fax: +30 2 10 994 3831
E-Mail: grcustsv@sial.com

Hungary

Tel: +36 (06) 1 235 9066
Fax: +36 (06) 1 235 9050
Ingyenes zöldtelefon: 06 80 355 355
Ingyenes zöld fax: 06 80 344 344
E-Mail: info@sigma.sial.hu

India

Bangalore
Tel: +91 80 5112 7272
Fax: +91 80 5112 7473

New Delhi

Tel: +91 11 2616 5477
Fax: +91 11 2616 5611

Mumbai

Tel: +91 22 2570 2364
Fax: +91 22 2579 7589

Hyderabad

Tel: +91 40 5531 5488
Fax: +91 40 5531 5466
E-Mail: india@sial.com

Ireland

Tel: +353 (0)1 404 1903
Fax: +353 (0)1 404 1911
E-Mail: safcei@sial.com

Israel

Free Tel: +1 800 70 2222
Tel: +972 8 948 4100
Fax: +972 8 948 4200
E-Mail: isrsaf@sial.com

Italy

Telefono: +39 02 3341 7350
Fax: +39 02 3341 7201
E-Mail: itasaf@sial.com

Japan

Tel: +81 (0)3 5796 7340
Fax: +81 (0)3 5796 7345
E-Mail: safcjp@sial.com

Korea

Tel: +82 (0)31 329 9000
Fax: +82 (0)31 329 9090
E-Mail: hcjoo@sial.com

Malaysia

Tel: +60 3 5635 3321
Fax: +60 3 5635 4116
E-Mail: sam@sial.com

Mexico

Free Tel: 01 800 007 5300
Free Fax: 01 800 712 9920
E-Mail: mexico@sial.com

The Netherlands

Tel: +31 (0)78 620 5414
Fax: +31 (0)78 620 5424
Free Tel: 0800 022 9092
Free Fax: 0800 022 9093
E-Mail: nldsaf@sial.com

New Zealand

Free Tel: 0800 936 666
Free Fax: 0800 937 777

Norway

Tel: +47 (0)23 176 000
Fax: +47 (0)23 176 010
E-Mail: nordicsaf@sial.com

Poland

Tel: +48 61 829 0100
Fax: +48 61 829 0120
E-Mail: plorsaf@sial.com

Portugal

Tel: +351 21 924 25 55
Fax: +351 21 924 26 10
Free Tel: 800 20 21 80
Free Fax: 800 20 21 78
E-Mail: espsaf@sial.com

Russia

Tel: +7 495 975 3321
Fax: +7 495 975 4792
E-Mail: russaf@sial.com

Singapore

Tel: +65 6779 1200
Fax: +65 6779 1822
E-Mail: sapl@sial.com

South Africa

Free Tel: 0800 1100 75
Free Fax: 0800 1100 79
Tel: +27 11 979 1188
Fax: +27 11 979 1119
E-Mail: rsa@sial.com

Spain

Tel: +34 91 657 2073
Fax: +34 91 490 5785
E-Mail: espsaf@sial.com

Sweden

Tel: +46 (0)8 742 4200
Fax: +46 (0)8 742 4243
E-Mail: sweorder@sial.com

Switzerland

Swiss Free Call: 0800 80 00 80
Tel: +41 (0) 81 755 27 32
Fax: +41 (0) 81 755 27 70
E-Mail: cheorders@sial.com

United Kingdom

Poole
Tel: +44 (0)1202 712 305
Fax: +44 (0)1202 712 235
Gillingham
Tel: +44 (0)1202 712305
Fax: +44 (0)1202 712235
Manchester
Tel: +44 (0)161 232 5500
Fax: +44 (0)161 232 5501
E-Mail: safcuk@sial.com

United States

Toll Free: 800 244 1173
Call Collect: 314 534 4900
Toll Free Fax: 800 368 4661
Fax: 314 652 0000
E-Mail: safcglob@al@al.com

SAFC Supply Solutions™
Inspiring Science

www.safcsupplysolutions.com

BIOEAZE® and SAFC Supply Solutions® are registered trademarks of Sigma-Aldrich Biotechnology L.P. and Sigma-Aldrich Co.
C-Flex® and EX Top® are registered trademarks of Consolidated Polymer Technologies, Inc.
Terumo® is a registered trademark of Terumo Medical Corporation.

© 2008 SAFC All rights reserved
Printed in USA 2038 KKK

SIGMA-ALDRICH®