

Rapidly Scaled-Up Upstream and Downstream **Liquid Solutions**

Process development teams experience timeline pressures which require flexibility and responsiveness. When there is no time to wait for bulk cGMP liquid solutions, depend on SAFC's selection of standard, single-use disposable bags for custom and catalog formulations to help you accelerate the scale-up process.



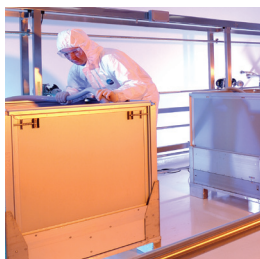
The QUICK SCALE offers:

- Available in standardized bag for custom and catalog liquid formulations
- Scalable, disposable bag options
- Secure your supply chain and safeguard your production schedule
- Animal component-free bag
- Reduced validation time associated with switching bag film and size
- Quick delivery of Quality Control testing records per specification data



QUICK SCALE packaging

- On the shelf and ready to fill
- Weldable and quick connect fittings
- Available in polyethylene and ethyl vinyl acetate bag films



Expanding your support base with Sartorius Stedim Biotech to help



- Jumpstart your process development with application-based data
- Confirm your process works with validation services

QUICK SCALE features and specifications

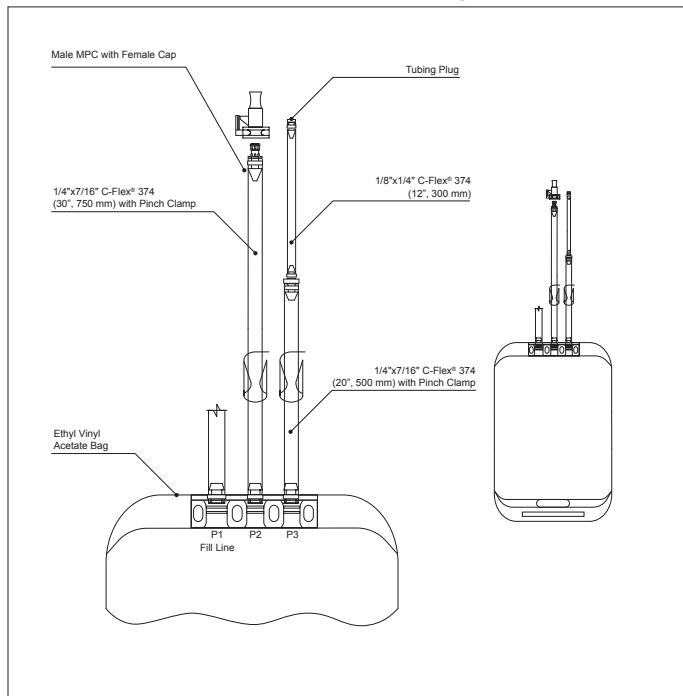
Features	Specifications
Lot Size	50 L to 2,000 L
Quality Status	cGMP
Bag Sizes	10 L, 20 L, 100 L, 200 L
Bag Films	PE or EVA
Additional Connectivity	Yes
cGMP Reagent Specifications	Yes*
Documentation	cGMP batch records
Validated Manufacturing	Yes

* Custom specifications require customer approval prior to production

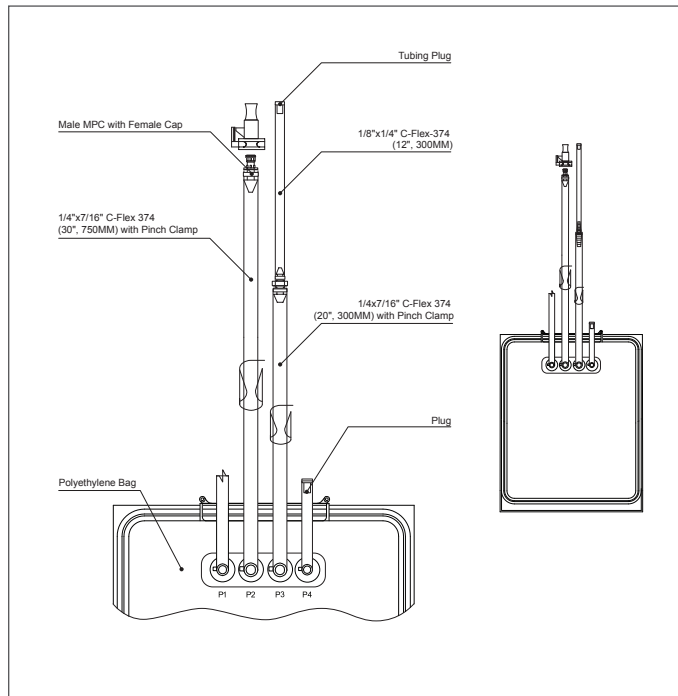
Contact SAFC for media support and information

AP +61 (0)2 9841 0555 • auscustserv@sial.com
 EU +44 (0)1264-333311 • info-eu@sial.com
 NA + 1-913-469-5580 • info-na@sial.com

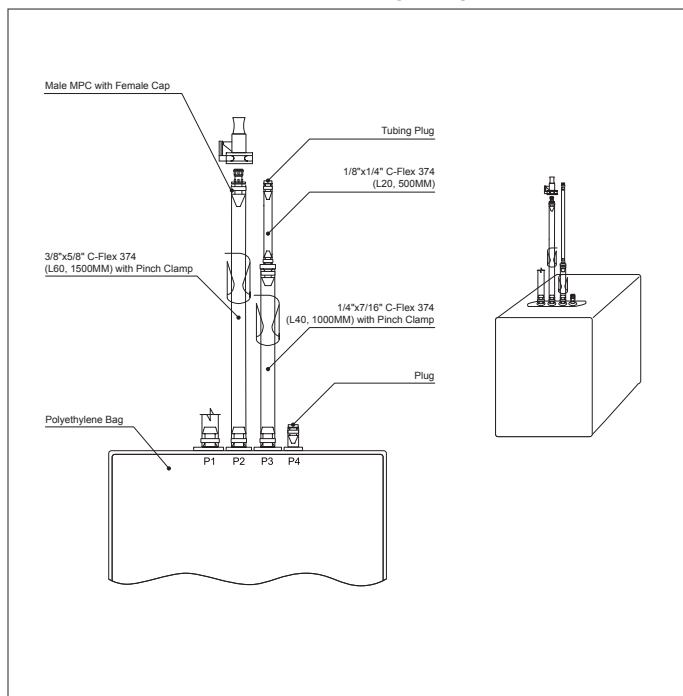
10L (#6020B) and 20L (#6030B) EVA Bags



10L (#7020B) and 20L (#7030B) PE Bags



100L (#7050B), 200L (#7060B) PE Bags - Top Outlet



100L (#7055B) and 200L (#7065B) PE Bags - Top/Bottom Outlet

